

USER MANUAL

SLAUGHTERING PISTOLS

LE MATADOR®

Super Securit 3000 – Axial locking system

Standard, long and MATASSOM models



Document N°: NO_18004

Table of contents

1. DOCUMENT OBJECT	4
2. REFERENCES	4
3. SAFETY INSTRUCTIONS	4
4. NOISE AND VIBRATIONS.....	5
5. DESCRIPTION.....	7
6. INSTRUCTIONS FOR USE	9
6.1 Formation	9
6.2 Safety checks before matador use	9
6.2.1 Punching pin check – Standard/Long MATADOR versions	9
6.2.2 Punching pin check – MATASSOM versions	9
6.2.3 Well operating check.....	10
6.2.4 Cartridges check.....	10
6.3 Installation at the slaughtering station.....	11
6.3.1 MATADOR use	11
6.3.2 After using the gun.....	12
7. MATADOR MAINTENANCE PROGRAM.....	13
7.1 Daily maintenance	13
7.2 Recurrent maintenance	14
7.2.1 After 5 000 shots.....	14
7.2.2 After 20 000 shots.....	15
7.2.3 After 40 000 shots or 3 years.....	15
7.2.4 Pin stroke speed measurement using the SUPER SECURITEST	15
7.2.5 Extra for MATASSOM version	16
8. DISASSEMBLY AND RESSEMBLY PROCESSES	17
8.1 Dismantling for daily maintenance.....	17
8.2 Dismantling for recurrent maintenance	18
8.2.1 901B handle dismantling.....	18
8.2.2 Access to the base holder 907B & firing pin 906.....	19
8.3 Dismantling to change the pin and spacer MATASSOM	20
9. TROUBLESHOOTINGS.....	22
10. IDENTIFICATION	22
EC DECLARATION OF CONFORMITY	23

ANNEX I : OPERATION CHEK LIST - MATADOR (STANDARD, LONG).....	24
ANNEX II : OPERATION CHEK LIST - MATASSOM	26
ANNEX III : ANIMAL WELFARE.....	27
ANNEX IV : PARTS LIFETIME	28
ANNEX V : MAINTENANCE LOG SPREADSHEET	31
ANNEX VI : NOMENCLATURES	32
ANNEX VII : INFORMATION'S SHEET	35

1. Document object

This document gives essential information's for a good use of the MATADOR products, their versions and their by-products.

Code	Trade name	Version
4147	MATADOR Super Securit 3000 – Axial locking	Standard
5966	MATADOR Super Securit 3000 – Axial locking	Long
2557	MATASSOM	Veal
3726	MATASSOM	Cow
3727	MATASSOM	Sheep

Furthermore, this document provides safety instructions and all necessary information's on functioning and maintenance.

The MATADOR products have been CE homologated (See EC Declaration of Conformity) in Europe, except Switzerland, for use with the 3 available cartridges type (Black, red, blue).

Information's about the cartridges types are available in section 6.2.4.

2. References

Item	Purpose	Author
1	Directive Machines	CE 2006/42
2	Directive sur le Bien-être animal	CE 2009/1099
3	Outils portatifs à charge propulsive	EN 15895
4	Extincteur (poudres)	NF 466-100
5	Extincteur (poudres)	NF 466-051
6	Extincteur (poudres)	NF 466-052
7	Sécurité des machines - Principes généraux de conception	EN ISO 12100
8	Décisions CIP	Edition 2009
9	Acoustique - Code d'essai acoustique pour les machines à enfoncer les fixations - Méthode d'expertise	EN 12549+A1

3. Safety instructions

People using LE MATADOR[®] have to be clearly identified and trained.



Read the whole of this user guide carefully before using the tool. Keep this guide in a safe place to be able to refer to it in the future or for another user. Safe use of the Matador requires that you read and follow every safety and correct use steps.

ATTENTION: Every user must have read and understood this user guide. Never let anyone use the MATADOR without any training.



IMPORTANT: Always wear protective glasses, hearing protections gloves and safety shoes.



Never use the MATADOR in an explosive or flammable environment.

Never use the MATADOR in a moisture saturated environment (fog).



NEVER point the MATADOR toward yourself or any other person.

NEVER lock for fire the MATADOR unless you are ready to use it.

NEVER move the MATADOR if it's locked. Always transport and store it "open".

When it's not used, store the MATADOR in a safe area to avoid that unauthorized person use it. Never leave the MATADOR without supervision at any time, especially if there are children around.

A modified MATADOR must never be used. Check that it is working properly before the shift starts.

IMPORTANT – cartridges and spare parts are precision parts designed specifically for LE MATADOR[®]. Only use genuine parts and cartridges supplied by your authorized TERMET distributor.

Only use this pistol for its intended purpose. In case of accident the user will be liable if instructions on safe and proper use are not fulfilled.

IMPORTANT: cartridges should be stored in a dry, ventilated and tempered area. Never use any cartridge that seems rusted, wet or that have been warmed.

IMPORTANT: always use cartridges designed for the size of animal you're working on.

ATTENTION: Always respect the maintenance instructions and to maximize gun life replace wear parts at the intervals recommended in this user manual.

IMPORTANT: LE MATADOR[®] slaughtering pistol is designed to slaughter Cattle, Bulls, Cows, Veal and Horses. Any use that is not covered in this guide is not allowed.



IMPORTANT: For Animal Welfare, at least 2 pistols must be available at the slaughtering point all the time. For optimum gun performance, the operator should alternate the pistol used for each shot, this allows them to cool between firings. Do not exceed the maximum rate, recommended in this user manual.

4. Noise and vibrations

Information about noise emissions, as mentioned in the EC Machinery Directive 2006/42/CE:

- SPL (sound pressure level) A at operation point:
LpA, 1s, O = 103 ± 3 dB
- SPL (sound pressure level) Maximum value C at operation point:

$L_{pCpeak} = 133 \pm 3$ dB

- Acoustic power A level of the machine :
 $LWA, 1s = 107 \pm 3$ dB
- Measure process: the machine is operated on a plastic bloc (100mm wide) 60 ± 5 Shore A hardness with red cartridges. Number and position of measure points are directed by EN 15895 and EN 12549.



Consequently, the operator must use hearing protection when operating the Matador.

Information about vibration:

- EN 15895 establishes that, for the fixing machine with explosive cartridge, the maximum vibration allowed for hand or arm of the operator is $2.5m/s^2$. By analogy, same value applies to the MATADOR.
- The shock generated by the explosion of the cartridge and the vibration emitted is weak, however the repetition of this act and of the whole slaughtering procedure may cause hazards as well as any repetitive actions. It is advised to apply a turnover at this work station.

IMPORTANT: the worn parts must be regularly replaced in accordance with the specifications described in chapter 7. If not, the sound's and vibration's levels should widely increase.



It is anyway necessary to remove LE MATADOR[®] when more than 40 000 shots have been performed or if it is aged more than 3 years.

5. Description

LE MATADOR[®] is a slaughtering pistol with a captive pin using explosive cartridges of 6.3/12 caliber. It is used for the slaughtering of animals such as calves, sheep, horses and other animals of the same size. It is made of a gun and a handle connected by a rocking head.



When the trigger is pushed, explosion of the cartridge generates gas that pushes the pin at 50m/s (180km/h). The MATADOR is in contact with the head of the animal and the pin will penetrate the brain. The animal is immediately anesthetized and must be bled as soon as possible.



ATTENTION: the animal is only anesthetized, so it is possible for it to wake up after some time (particularly with big animals such as bulls).

LE MATADOR[®] characteristics:

- **Dimensions** : Ø60 mm
- **Length** :
 - Standard Matador: 310 mm
 - Long Matador: 330 mm
 - Matassom: 340 mm
- **Weight**
 - Standard Matador: 2.75 kg
 - Long Matador: 2.86 kg
 - Matassom: 2.75 kg
- **Pin diameter**: 12 mm
- **Pin stroke**:

Cartridge / pin	Standard Matador	Long Matador
Black	90 mm	98 mm
Red	85 mm	93 mm

- **Nominal pin stroke speed:**

Cartridge / pin	Standard Matador	Long Matador
Black	56 m/s	55 m/s
Red	54 m/s	52 m/s
Blue	50 m/s	49 m/s

- **Maximum cadence** recommended: 30 shots/hour with red cartridges.
- **Lifetime:** LE MATADOR[®] is certified for a life time of 40 000 shots or 3 years maximum. These limits are valid considering any type of cartridge (black, red blue).

LE MATADOR[®] cartridges characteristics:

- Cartridges: 6.3/12 LE MATADOR[®] caliber, blue, red and black.
- Released energy:
 - Black cartridges: 430 Joules $\pm 10\%$
 - Red cartridges: 400 Joules $\pm 10\%$
 - Blue cartridges: 360 Joules $\pm 10\%$

The MATADOR products have been CE homologated (See EC Declaration of Conformity):



- In Europe except Switzerland, for use with the 3 available cartridges type (Black, red, blue).

Available accessories:

- Tool Kit LE MATADOR[®] / MATASSOM
- SUPER SECURITEST
- MATABOX
- MATADOR EXTENSION

6. Instructions for use

Check lists dedicated to operators can be found in Annex I (MATADOR Standard or Long) and in Annex II (MATASSOM versions). Print and display them on the workplace. A reminder about animal welfare can be found in Annex III.

6.1 Training



According to Chapter 3 (Safety instructions) remind that: people using LE MATADOR[®] have to be clearly identified and trained.

A training course regarding use of the product is systematically given to a referent when the product is sold to a new client.

Maintenance training is also available.

6.2 Safety checks before matador use

All the nomenclatures and parts references are available in Annex VI. Before using MATADOR, the items below have to be checked. The pistol must be dry, without any apparent rust.

6.2.1 Punching pin check – Standard/Long MATADOR versions

The punching pin must be retracted in the barrel. It should never exceed the barrel extension.



6.2.2 Punching pin check – MATASSOM versions

Depending on kind of animals, the right 917 Pin type should be used. See below:

MATASSOM		Pin part No.		
Version	Code	917 VE	917 PT	917VA
Veal	7776	x		
Cow	3726			x
Sheep	3727		x	

Check the right placement of the pin, it means that the pin shall not be seen:



- With the sheep punching pin (917-PT), or veal (917VE) none of the holes must be obstructed.



- With the cow punching pin (917-VA), the inferior hole must not be obstructed.

6.2.3 Well operating check

- Check the operation of the locking system, with no cartridge. You shall feel the « click » of the locking ball.
- Arm the system and press on the percussion trigger (the gun must always be pointed downwards, even if it's not loaded). You must feel the movement of the percussion hammer.
- If you notice that one of the previous conditions is not respected, do not use the MATADOR and contact your maintenance department for inspection.



6.2.4 Cartridges check

The MATADOR products have been CE homologated (See EC Declaration of Conformity):



- In Europe except Switzerland, for use with the 3 available cartridges type (Black, red, blue).
- Check that the cartridges are not wet or contaminated with oil.
- Check that there is no rust on the cartridges.
- Check that the cartridges are approved for use with the MATADOR. They must be certified "MATADOR" and be caliber 0.25 (6.3/12).
- Always use cartridge suitable for animals you have to slaughter, as per the table below:

Cartridge color	Animal weight	Category (Age)
Black (Not compatible with MATASSOM)	More than 900 kg	Bulls Oxen and Young Beef (Exceptional conditions)
Red	General use	Bulls (<3years) Oxen Young Beef Cow Heifer
Blue	Less than 450 kg	Cow Small Heifer Veal Pigs Sheep and goats

- In case of animals with particularly big skull thickness and user establishes slaughtering difficulties, it might be suitable to use more powerful type of cartridges.

6.3 Installation at the slaughtering station

For Animal Welfare, there must be at least 2 guns available at the slaughtering station all the time. Any modified or defective gun must be replaced immediately.

The head must be restrained during use in order to avoid any hazard. This may be achieved through an immobilization system.

6.3.1 MATADOR use

1. A not in use gun shall always be stored open (“break”).
2. The operator can, if he wants, load a cartridge at this stage.



3. When the animal is ready for slaughtering, the operator can lock the gun. The operator must definitely feel the “click” when locked. When arming the pistol must not in any case apply any pressure on the trigger for fear of unwanted shooting.



4. You wind the system on by pulling on the cocking cord. It must be carried out nearest to the animal. The release of the percussion trigger must be carried out with direct contact with the animal’s head.
5. The point of aim on the animal’s head must take place at the intersection of the diagonals passing from ears to eyes. An image is provided for posting at the slaughtering station (see page 11 of this user manual).
6. When the animal is in a trap, the operator shall do the shot with straight arm. This will avoid any injury of the operator due to sudden move of the animal.
7. When the gun is used with an animal out of a trap, the operator shall be in front of the animal.
8. If the first shot doesn’t reach its goal and the animal is not properly stunned, use the second Matador in order to complete the stunning.

Note: once the gun is armed, if the operator aborts the shooting, he must immediately unlock and open the gun. Normally the unexploded cartridge will be ejected. If this does not happen, the cartridge can remain in place for the next shot.



In order to perform an efficient and accurate shot, the gun shall always be perpendicular to the contact surface on the animal’s head. If not, the efficiency can lower dramatically. Moreover the pin will be prematurely worn and this will induce a lower life time.



The operations of loading and arming must always be done with the gun directed towards the ground.



It may occur that the cartridge is not ejected during opening, exploded or not. To avoid any unwanted triggering or damage to parts, disassemble the 916 barrel extension and the 917 punching pin in order to gently push out the cartridge. Please refer to the maintenance chapter.

6.3.2 After using the gun

After each shot:

1. Unbolt and “break” the gun immediately, taking care that the empty cartridge has been ejected. The cartridge should always be ejected downwards.
2. After the shot, check that the animal has been properly stunned. In case of issue, shoot again with a 2nd gun to avoid the animal suffering.
3. In case no shot, wait 30 s before unbolt the gun.

Note: in case of ineffective shooting, the operator must check that the problem was not caused by incorrect gun operation. In case of doubt, he shall request replacement of the defective gun.



It is recommended to make alternate shots with different guns to avoid overheating. The maximum firing rate is one shot every 2 minutes (max. 30 shots per hour).

When not used, the MATADOR shall be left open in a dry and stable position. TERMET recommends the use of a MATABOX to ensure maximum safety.

At the end of the day:

- All guns should be removed from the slaughtering station, ideally stored at the maintenance department. The operator should inform the maintenance department of any problem noted during the day and specify the gun concerned.
- Guns must always be transported without cartridges inside, and in the open position – Termet recommends use of a MATABOX for this purpose.
- The guns shall be stored in the open (“break”) position and in a dry and airy room, if possible in a locked cabinet.



DO NOT POINT THE GUN TOWARDS YOURSELF OR ANY ANOTHER PERSON, EVEN IF THE GUN IS NOT LOADED.

7. MATADOR MAINTENANCE PROGRAM



Maintenance operations should be performed by authorized personnel only, respecting safety procedures including gloves.

Note: All spare parts must be stored in a clean, dry place and protected from light before use.

All nomenclatures with part numbers and commercial references are available in Annex VI.

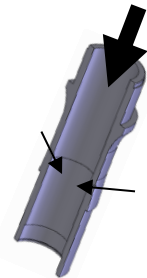
Always make a film of oil on the pieces and put a sticky grease on the springs. **Use grease only on the springs and threads.**

All part replacements shall be recorded in a maintenance log spreadsheet. In case of failure, these records may be requested by TERMET for inspection. A template is available in Annex V.

7.1 Daily maintenance

These inspections shall be performed daily, whatever the rate. Moreover, in the case of high rate, the gun shall be inspected every 500 shots.

- Inspect all parts of the gun to ensure there are no cracks or rust on any components.
- Dismantle the barrel, following the process described in section 8.1.
- Clean inside the barrel with the flue brush and use a 2mm drill at 30° to clean the vent.
- Clean the barrel extension.
- Withdraw all the parts on the punching pin and check their condition.
- If needed replace any damaged parts. All the part numbers are summarized in the spreadsheet below, and the commercial references are available in Annex VI.



	Std/Long Matador	Matassom
Locking joint	923	-
Tightness plate	919	-
Front protection washer	921	921C
Elastomer ring	922	922C
Rear protection washer brown	920	920C
Rear protection washer blue	932	932C
Pin Head rush	918	

An elastomer ring is worn out when it has cracks or when elastomer is missing. Such a situation induces a dramatic loss of performance of the MATADOR. Also, the punching pin should exceed the barrel extension. It is recommended to put the new elastomer

rings close to the punching pin head. Take care to never expose elastomer rings to light and avoid to store them more than 12 months.



- If one part seems proper following the visual inspection, it shall though be replaced when its lifetime is over. All lifetime parts are summarized in the spreadsheets in Annex IV.
- Let the elastomer rings dry on the workbench before mounting them on the pin. For example you may dismantle on the evening and mount on next morning.
- Take care that the threads of the barrel are well lubricated. Use special black grease dedicated to threads.
- Reassemble the gun following the process described in section 8.1. Part's standard quantity are summarized in the spreadsheet below.

	Standard Matador	Long Matador	Matassom
Locking joint	1	1	-
Tightness plate	1	1	-
Front protection washer	2	2	2
Elastomer ring	10	11	7
Rear protection washer brown	1	1	1
Rear protection washer blue	1	1	1
Pin Head rush	1	1	1



- Test the gun with the SUPER SECURITEST before storing it inside the MATABOX on the workplace. Refer to section 7.2.4

7.2 Recurrent maintenance

Three periodicity have been planned for the recurrent maintenance: 5 000, 20 000 and 40 000 shots.

Moreover, you have to plan intermediate maintenance sessions in order to replace the parts whose lifetime is over. Their periodicity shall be adjusted depending of your own shot periodicity and of the kind of cartridge. See the spreadsheets in Annex IV.

7.2.1 After 5 000 shots

- Dismantle the gun, according to the process described in section 8.2. Check the hammer spring (part 904), the hammer (part 903), the firing pin (part 906), the ejection base-holder (part 907B) and stopper spring (part 905R).
- Clean and grease every springs.
- Change any wear parts if necessary
- If one part seems proper following the visual inspection, it shall though be replaced when its lifetime is over. All lifetime parts are summarized in the spreadsheets in Annex IV.





- Test the gun with the SUPER SECURITEST before storing it inside the MATABOX on the workplace. Refer to section 7.2.4

7.2.2 After 20 000 shots



- Entirely dismantle the gun, according to the processes described in sections 8.1 and 8.2. Clean it and check there are no cracks.
 - Change the bolt (part 910) & barrel (part 915).
 - Change any worn or damaged parts if necessary.
 - If one part seems proper following the visual inspection, it shall though be replaced when its lifetime is over. All lifetime parts are summarized in the spreadsheets in Annex IV.
 - Reassemble and grease the gun.
- Test the gun with the SUPER SECURITEST before storing it inside the MATABOX on the workplace. Refer to section 7.2.4

7.2.3 After 40 000 shots or 3 years

LE MATADOR[®] has been designed for a 40 000 shots lifetime or 3 years. This is valid for any type of recommended cartridge used. Beyond the lower of these 2 deadlines, you have to remove the gun. After 3 years, TERMET purpose a free service in order to check your gun. After the inspection, TERMET provides you either a well working certificate or a repair quotation.

We recommend the users to plan the rolling of their guns.

For example: 4 guns performing 80 000 shots per year, i.e. 20 000 yearly shots per gun. So, the guns lifetime is 2 years. It would be more suitable to remove one gun every 6 months or 2 guns every year. ALWAYS choose simple dates to remove the guns, even if this leads to slightly early dates regarding to the theoretical ones.

7.2.4 Pin stroke speed measurement using the SUPER SECURITEST

Three shots have to be performed. For each shot, the measured velocity must be higher than a minimal velocity, as expressed in the array below. Refer to the SUPER SECURITEST manual (NO_19007) for more details.

Gun version	Cartridge	Minimal velocity
Matador SS 3000	Black	50 m/s
	Red	48 m/s
	Blue (recommended)	45 m/s
Long Matador SS 3000	Black	49 m/s
	Red	46 m/s
	Blue (recommended)	44 m/s
Matassom	Blue (recommended)	42 m/s

Every test fire with the MATADOR must be done with the blue cartridges (the least powerful ones).

7.2.5 Extra for MATASSOM version

All lifetimes and controls are identical to Standard/Long MATADOR model except the pin (917VA, 917PT and 917VE). This part must be replaced every 10 000 shots. To dismantle the pin, follow the process described in section 8.1.

It is not recommended to use the MATASSOM with black cartridges otherwise than occasionally.

8. DISASSEMBLY AND RESSEMBLY PROCESSES



Maintenance operations should be performed by authorized personnel only, respecting safety procedures including gloves.

Note: All spare parts must be stored in a clean, dry place and protected from light before use.

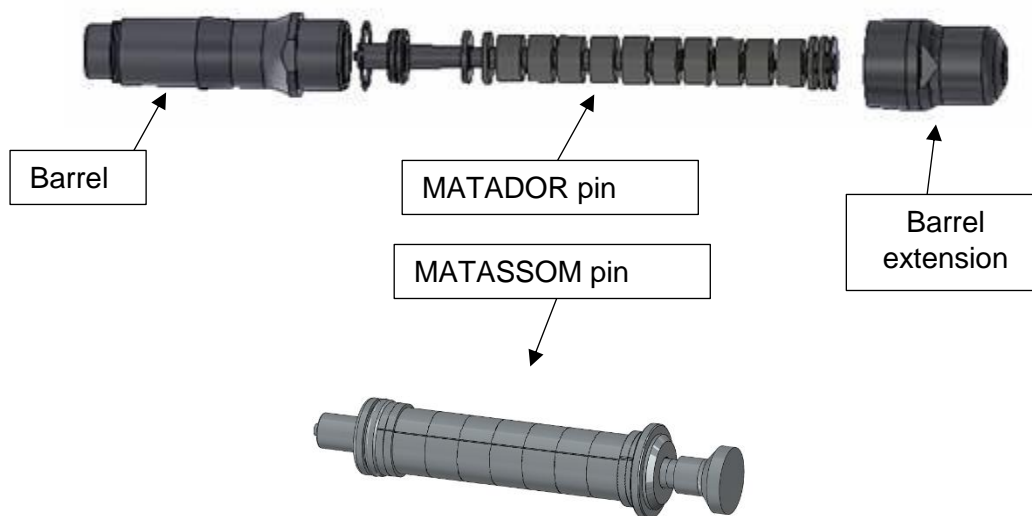
All nomenclatures with part numbers and commercial references are available in Annex VI.

8.1 Dismantling for daily maintenance

The aim of this process is to dismantle the barrel extension in order to access to the pin and its accessories.

Required tools are:

- A vice,
- A 46mm spanner,
- A barrel brush,
- A Ø2 mm pin (paperclip for example),
- Black grease for thread,
- A duster.



DISASSEMBLING:

- Softly tighten the barrel (part 915) in a vice -without excessive force- in vertical position using the 2 small flat areas near the barrel extension (part 916),
- Then using the spanner, loosen and unscrew the barrel extension (part 916). Withdraw the locking joint (part 923, not used in MATASSOM),
- Withdraw the punching pin with its stack of rings and discs.
- On the MATASSOM version, first unscrew the pin's tip to access to the support washer (part 928), if needed.

If parts are worn or ending their lifetime, replace them according to section 7.1 specifications.

REASSEMBLY:

Mount back on the pin, one after the others:

- The rear blue protection washer,
- The rear brown protection washer (bore diameter 13.5),
- The elastomer rings,
- The front brown protection washers (bore diameter 12),
- The tightness plate (not for MATASSOM),
- The support washer and the pin's tip (MATASSOM only).



The washers and rings are not the same on MATADOR Standard/Long and on MATASSOM version. Thus, they are not commutable. Refer to section 7.1 or to Annex VI to find the right part numbers and commercial references.

Then:

- Refit the punching pin into the barrel pushing it fully back.
- Replace the locking joint (part 923, MATADOR only) on the barrel (part 915), centred on the collar.
- Screw the barrel extension by hand only, take care that the stem of the punching pin does not protrude out of the barrel extension.
- Check that the barrel's thread is well-greased.
- Softly tighten the barrel extension on the muffler barrel using the spanner.

8.2 Dismantling for recurrent maintenance

8.2.1 901B handle dismantling

The aim of this process is to dismantle the gun's handle in order to access to the springs and command parts.

Required tools are:

- A 36mm spanner,
- A flat and small screwdriver,
- Grease for spring,
- Black grease for thread.

DISASSEMBLY:

- Disassemble the barrel from the handle by removing the rush of bolt (part 911). To do so, clench it using the handle rotation. Then remove the 2 pins (part 914) and the coupling sleeve (part 913).
- Remove the string (part 924) and put the cap of grip (part 900) in a vice (using the 2 flat area). Unscrew the safety grip (part 901B) using a 36 mm spanner.



- Pushing on the trigger (part 902) one can remove the percussion hammer (part 903) and its spring (part 904) and then the percussion trigger (part 902) with its spring (part 905R) will come out by themselves.

REASSEMBLY:

Put some grease on the percussion trigger and reassemble all parts in the reverse of the disassembling procedure above. The assembly should then be sprayed with a light coating of oil to prevent corrosion.

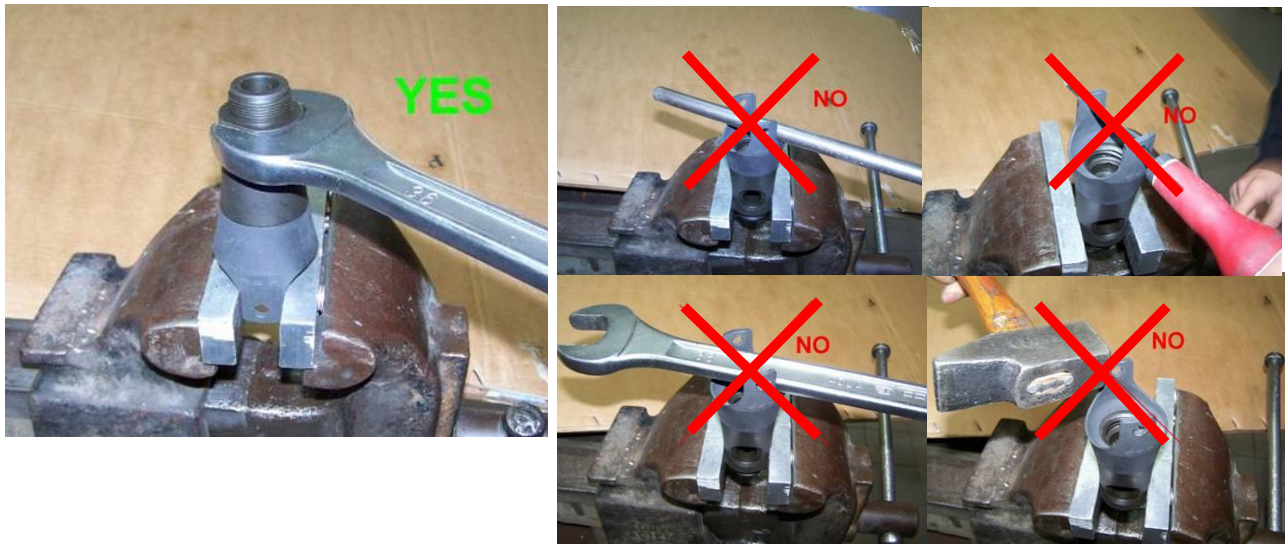
8.2.2 Access to the base holder 907B & firing pin 906

The aim of this process is to dismantle the gun's handle in order to access to the percussion parts. Required tools are:

- A 36mm spanner,
- A flat and small screwdriver,
- Black grease for threads.

DISASSEMBLY:

- First, proceed as described in section 8.2.1.
- Put the 2 ears of the rocking head 912 in a vice. Unscrew the safety grip 901B from the rocking head 912 using the spanner.



- Remove the parts from the vice and finish to unscrew the handle,
- Remove the 2 holding pins 908 with the screw driver,
- The ejection base holder 907B and the firing pin 906 can then be removed.

REASSEMBLY:

- Before re-assemble, clean all surfaces and put a drop of oil. Use grease only on spring 909B and put back fire pin 906.

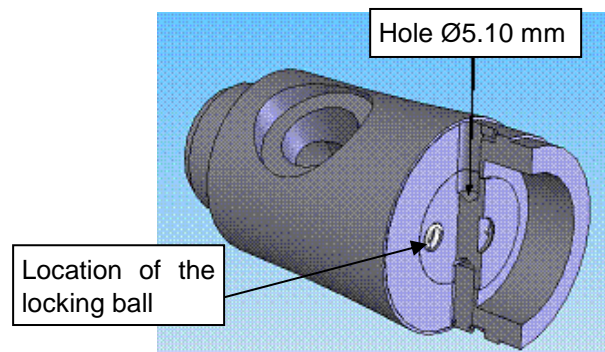
- The locking ball 925B must be located as shown on the picture bellow.



IF EJECTION BASE HOLDER 907B IS ASSEMBLED AT 180°, THEN THE LOCKING SYSTEM WILL NOT WORK.



When changing the ejection base holder 907B by a new one, there is risk that both holes on parts 907B and safety grip 901B will not be in line. Then pins 908 cannot fit. You will have to use a Ø5.1 mm drill to realign them.

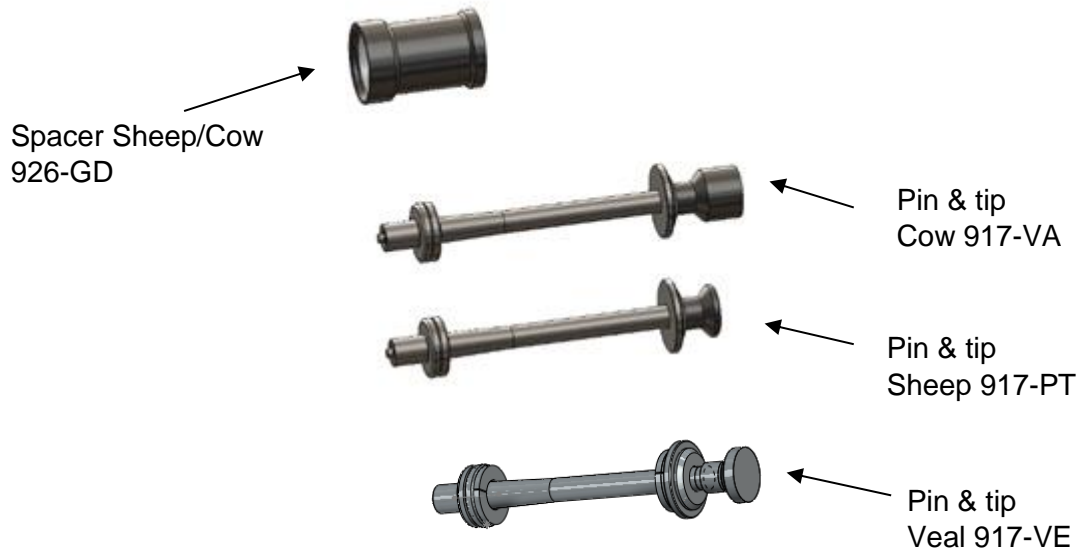


- USE THE BACK OF A SCREWDRIVER TO PUSH THE HOLDING PINS 908 INTO PART 907B.
- The holding pins 908 have to be inserted and removed without excessive effort.
- When putting back part 912 put the “blocking” spray and some grease on 901B threads part (see maintenance kit LE MATADOR[®])

8.3 Dismantling to change the pin and spacer MATASSOM

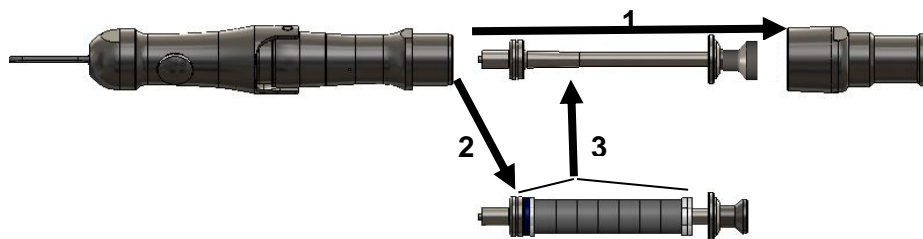
Depending on the slaughtered animal, the right Pin type has to be used. See section 6.2.2.

- Sheep: punching pin sheep part 917 PT,
- Cow: punching pin cow part 917 VA,
- Veal: pin veal 917 VE.



To change the pin, you have to:

- First operate as mentioned in section 8.1 in order to dismantle the barrel and extract the punching pin,
- Change the pin's tip,
- Reassembly all the parts as mentioned in section 8.1.



9. TROUBLESHOOTINGS



Never try to extract a cartridge that failed to explode with your hands.

Problem	Solution
Shot is not fired	Wait for 30 seconds before opening the MATADOR. Check the hammer spring, the hammer and the cartridge firing pin. If those 3 elements are in good shape and the cartridge is correctly marked by the firing pin, check that cartridges are not wet.
Abnormal noise	Crack on one part of the gun. Stop using the gun immediately and contact the maintenance department.
The gun is not efficient	Check and change if necessary the pinhead rush and the elastomer rings. Check that cartridges are not wet.
The cartridges doesn't extract themselves	Change the ejection base holder, check the seating of the cartridge in the bolt and firing chamber.

If the gun, or parts of the gun, have to be returned to TERMET, fill the information's sheet in Annex VII and join it to the shipment.

10. IDENTIFICATION

Every MATADOR is identified through its serial number. The marking is carried out on the barrel extension.

Front side	Side	Back side
<p>LE MATADOR® SUPER SECURIT 3000 N° de série</p>		<p>MADE IN France Attestation de type N° CAL 6.3/12</p>

EC DECLARATION OF CONFORMITY



Supplier:

TERMET-SOLEFI

ZA LA FORET – Impasse Leduc Ladeveze

72470 CHAMPAGNE France

TEL +33 (0)2 43 54 10 30 / Fax +33 (0)2 43 89 90 75

commercial@termet.fr

TVA FR 23 353 710 924

We undersigned, TERMET SOLEFI, declare under our own responsibility:

Stunning pistol LE MATADOR[®] – SUPER SECURIT 3000

Versions STANDARD / LONG / MATASSOM

Serial number:

Is in compliance with the following requirements:

- Machinery Directive 2006/42/CE

And also considering the following standards:

- EN 15895, NF 466-100, NF 466-051, NF 466-052, EN ISO 12100:2010, Décisions CIP Edition 2009, EN 12549 + A1.

Moreover, this system has been voluntarily CE homologated, by :



SUVA, Secteur technique, Organisme de certification SCESp0008, Notification européenne, numéro d'identification 1246, Case postale 4358, 6002 Luzern, Schweiz,

Under No. E7192 on 14 February 2019.

Champagné, on

Tony PILTE

General Manager

Authorized to establish machine technical file

Annex I : Operation chek list - MATADOR (Standard, Long)

At start of working day:

1. Check availability of 2 pistols (minimum) at the slaughtering station.
2. Check that the cartridges are genuine Matador supplied and have no traces of oil or oxidation.

3. Check that the punching pin is retracted in the barrel.



4. With the pistol unloaded, check the operation of the locking system. You must hear and feel the click of the locking ball. Arm and press on the trigger to check the correct operation of the percussion hammer.



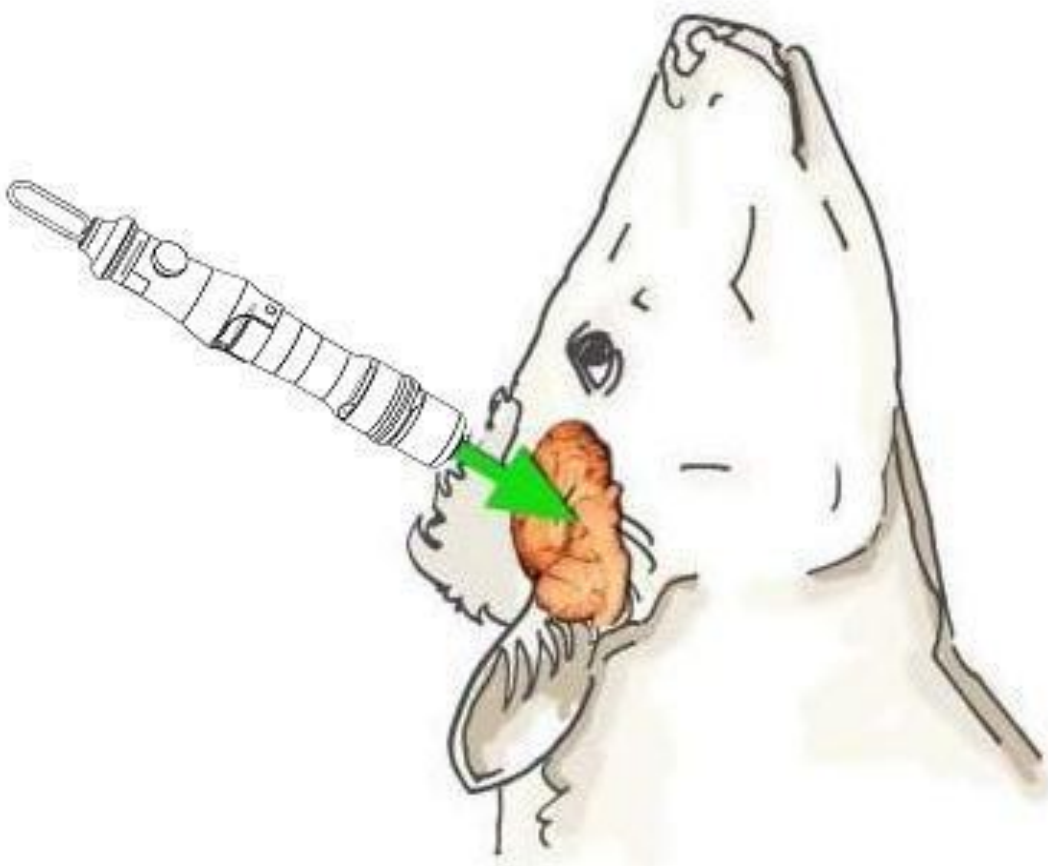
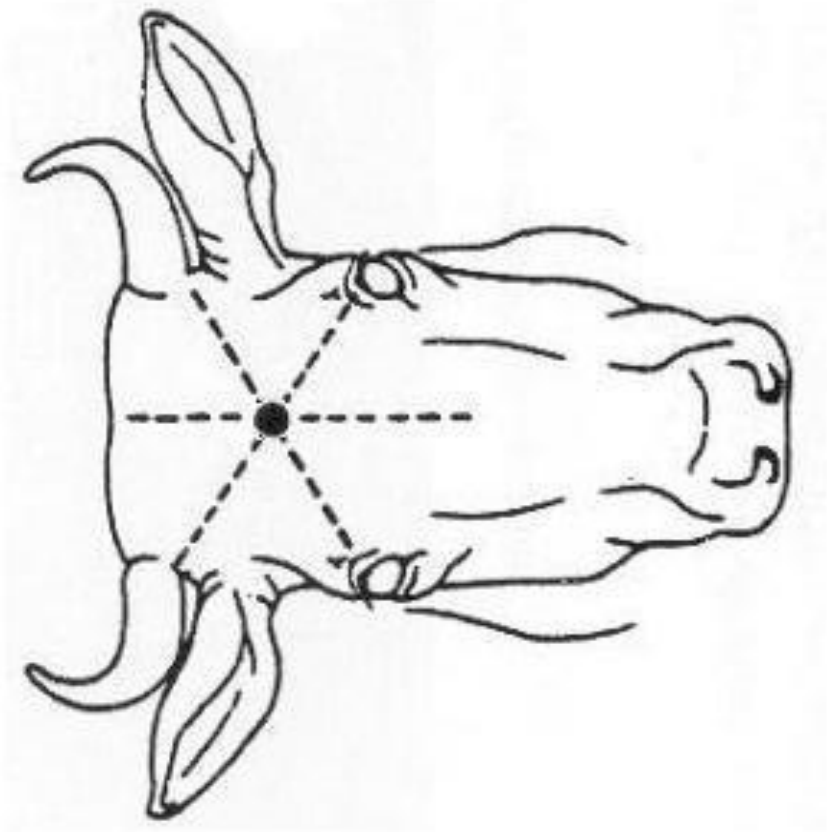
1. ALWAYS FIRE THE PISTOL TOWARD THE GROUND
2. ALTERNATE FIRING BETWEEN 2 PISTOLS
3. ONLY ARM THE PISTOL IMMEDIATELY BEFORE USE ON THE ANIMAL

Obligations:

1. Always use safety glasses and gloves
2. Always use earplugs and safety shoes
3. Read and understand the MATADOR user manual before use



Photocopy this page and display at the slaughtering station



Annex II : Operation chek list - MATASSOM

At start of working day:

1. Check the availability of 2 pistols (minimum) on the slaughtering station.
2. Check that the cartridges are genuine, without trace of oil or oxidation.
3. Check that the punching pin is correctly in place.
4. For the sheep/veal (917-PT) or (917-VE), no hole must be obstructed.
5. For the Cow (917-VA) only the lower hole must not be obstructed.

PIN TIP PT



PIN TP VA



6. Check without any cartridges the operation of the locking system. You must hear and feel the click of the locking ball. Arm and press on the percussion trigger to check the correct operation of the percussion hammer.



1. ALWAYS FIRE THE PISTOL TOWARD THE GROUND
2. ALTERNATE FIRING BETWEEN 2 PISTOLS
3. ONLY ARM THE PISTOL IMMEDIATELY BEFORE USE ON THE ANIMAL

Obligations:

1. Always use safety glasses and gloves
2. Always use earplugs and safety shoes
3. Read and understand the MATADOR user manual before use



Photocopy this page and display at the slaughtering station

ANNEX III : ANIMAL WELFARE

⇒ PREVENT ANIMAL STRESS

⇒ INTRODUCE THE ANIMAL IN THE KILLINGBOX ONLY WHEN THE OPERATOR IS READY TO STUN IT (NO ANIMAL MUST BE SLAUGHTERED UNLESS IT CAN BE IMMEDIATELY HOISTED AND BLED WITHIN 60 SECS)

⇒ AVOID TOO MUCH LIGHT IN THE KILLINGBOX AREA. NOISE SHOULD BE KEPT TO A MINIMUM

⇒ IF IT IS POSSIBLE, INSTALL A WATER TAP IN FRONT OF THE BOX TO REDUCE ANIMAL STRESS

⇒ ENSURE THAT AT LEAST 2 GUNS ARE AVAILABLE NEAR THE KILLINGBOX ALL THE TIME

⇒ BLEED THE ANIMAL AS SOON AS POSSIBLE AFTER STUNNING TO AVOID RECOVERY OF CONSCIENCENESS

Meat quality depends on respecting animal welfare

ANNEX IV : Parts lifetime

ATTENTION:



- The operational part lifetimes listed above are related to a working well gun that is properly maintained according to TERMET specifications.
- These lifetimes shall be weighted according to the type of cartridges if several of them are used.
- A wet use and / or with wet hands induces an earlier maintenance. The parts must be free of corrosion.

Common basis

Part No.	Description	Quantity	No. shootings/cartridge		
			Blue	Red	Black
901B	SAFETY GRIP	1	25 000	20 000	15 000
902	PERCUSSION TRIGGER *	1	20 000	15 000	10 000
903	PERCUSSION HAMMER *	1	15 000	10 000	8 000
904	HAMMER SPRING *	1	5 000	4 000	4 000
905R	TRIGGER SPRING STAINLESS STEEL *	1	5 000	4 000	4 000
906	CARTRIDGES FIRING PIN *	1	10 000	6 000	6 000
907B	EJECTION BASE-HOLDER	1	12 000	10 000	8 000
908	HOLDING PIN	2	20 000	15 000	15 000
909B	LOCKING SPRINGS *	1	20 000	15 000	15 000
910	BOLT OF GAS CHAMBER + MUFFLER BARREL	1	25 000	20 000	10 000
915					
911	RUSH OF BOLT	1	30 000	30 000	30 000
912	ROCKING HEAD	1	50 000	50 000	50 000
913	COUPLING SLEEVE	1	100 000	100 000	100 000
914	COUPLING PIN	2	15 000	15 000	15 000
918	PINHEAD RUSH *	1	4 000	2 500	2 500
924	COCKING STRING	1	5 000	5 000	5 000
925B	LOCKING BALLS	1	45 000	40 000	30 000

* Recommended frequency to replace these elements has been revised downwards dated 04.11.2014

Note: if the bolt 910 or the safety grip 901B is broken, then all three parts must be changed: bolt + muffler barrel (910 + 915) and safety grip (901B).

Standard MATADOR

Part No.	Description	Quantity	No. shootings/cartridge		
			Blue	Red	Black
916	BARREL EXTENSION	1	45 000	40 000	30 000
917	PUNCHING PIN	1	15 000	15 000	10 000
919	TIGHTNESS PLATE	1	5 000	5 000	5 000
920	REAR PROTECTION WASHER BROWN	1	2 000	2 000	1 500
921	FRONT PROTECTION WASHER	2	2 000	2 000	2 000
922	ELASTOMER RING	10	1 000	1 000	800
923	LOCKING JOINT	1	2 000	2 000	2 000
932	REAR PROTECTION WASHER BLUE	1	2 000	2 000	1 500

Long MATADOR

Part No.	Description	Quantity	No. shootings/cartridge		
			Blue	Red	Black
916L	BARREL EXTENSION	1	45 000	40 000	30 000
917L	PUNCHING PIN	1	15 000	15 000	10 000
919	TIGHTNESS PLATE	1	5 000	5 000	5 000
920	REAR PROTECTION WASHER BROWN	1	2 000	2 000	1 500
921	FRONT PROTECTION WASHER	2	2 000	2 000	2 000
922	ELASTOMER RING	11	1 000	1 000	800
923	LOCKING JOINT	1	2 000	2 000	2 000
932	REAR PROTECTION WASHER BLUE	1	2 000	2 000	1 500

MATASSOM

Part No.	Description	Quantity	No. shootings/cartridge	
			Blue	Red
916B	BARREL EXTENSION	1	45 000	40 000
917 PT 917 VA 917 VE	PUNCHING PIN PT, VA and VE	1	8 000	10 000
920C	CUT REAR PROTECTION WASHER BROWN	1	-	2 000
921C	CUT FRONT PROTECTION WASHER	2	-	2 000
922C	CUT ELASTOMERE RING	7	-	1000 *
932C	CUT REAR PROTECTION WASHER BLUE	1	-	2 000

ANNEX V : Maintenance LOG SPREADSHEET

This spreadsheet is used to monitor MATADOR maintenance.

Consumables such as elastomer rings and non-critical parts such as the locking ball are not included on the spreadsheet as the frequency of change is higher than other parts. The history of these replacements can be recorded in a service book or another spreadsheet.

Serial number is marked on key parts with the format XXX-XX-XX (Part number-Month-Year).

MATADOR N°:

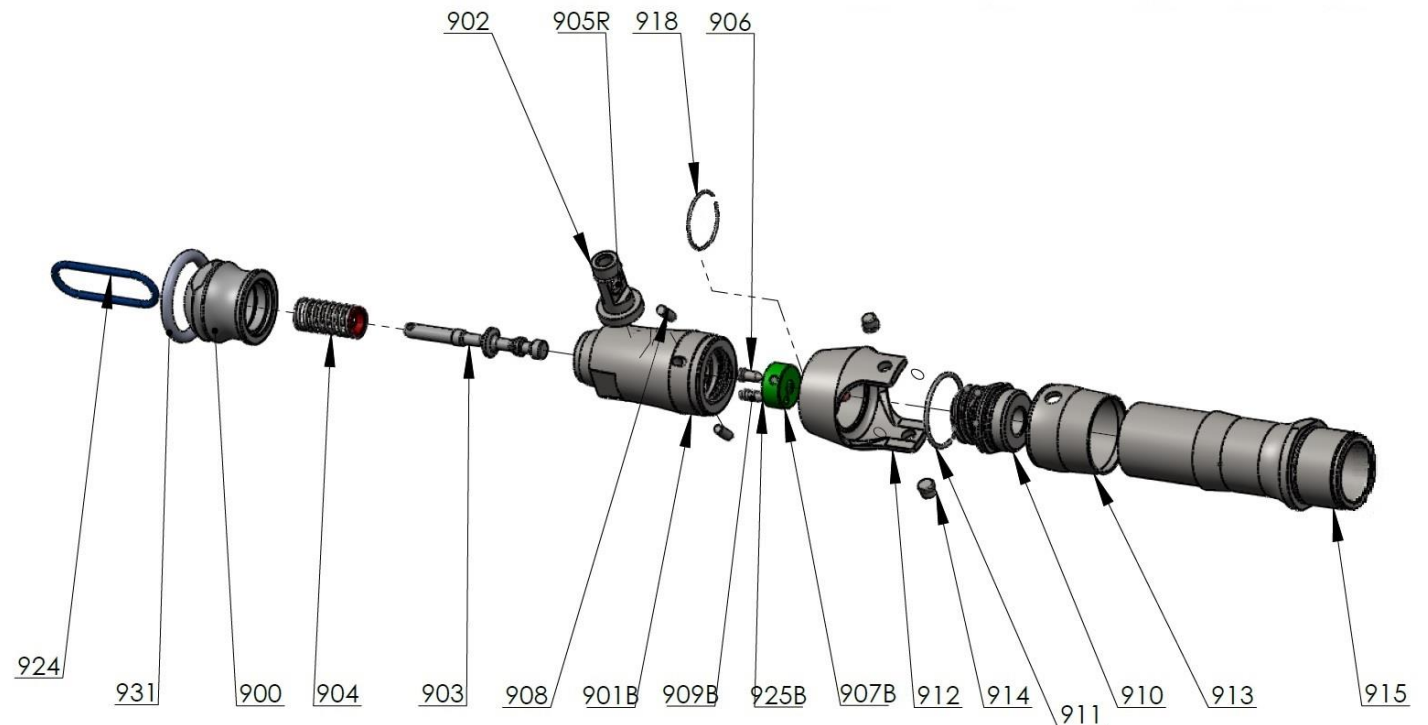
First service date :

Part	Serial N°	F. S. D. + ...month or 10 000 shots	F. S. D. + ...month or 15 000 shots	F. S. D. + ...month or 20 000 shots	F. S. D. + ...month or 30 000 shots	F. S. D. + ...month or 40 000 shots	
900 : Cap of grip	900.____.____	PLEASE INFORM TERMET IN CASE OF BREAKAGE					RENEW PISTOLS WITH TRADE-IN CONDITIONS
901B : Safety grip	901B.____.____	PLEASE INFORM TERMET IN CASE OF BREAKAGE					
902 : Percussion trigger	902.____.____		Nx N° lot :		Nx N° lot :		
903 : Percussion hammer	903.____.____	Nx N° lot :		Nx N° lot :	Nx N° lot :		
907B : Ejection base- holder	907B.____.____	Nx N° lot :		Nx N° lot :	Nx N° lot :		
912 : Rocking head	912.____.____	PLEASE INFORM TERMET IN CASE OF BREAKAGE					
913 : Coupling sleeve	913.____.____	PLEASE INFORM TERMET IN CASE OF BREAKAGE					
915+910 : Bolt + Muffler barrel	915.____.____			Nx N° lot :			
916 : Barrel extension	916.____.____	PLEASE INFORM TERMET IN CASE OF BREAKAGE					
917 Punching pin	917.____.____		Nx N° lot :		Nx N° lot :		

ANNEX VI : nomenclatures

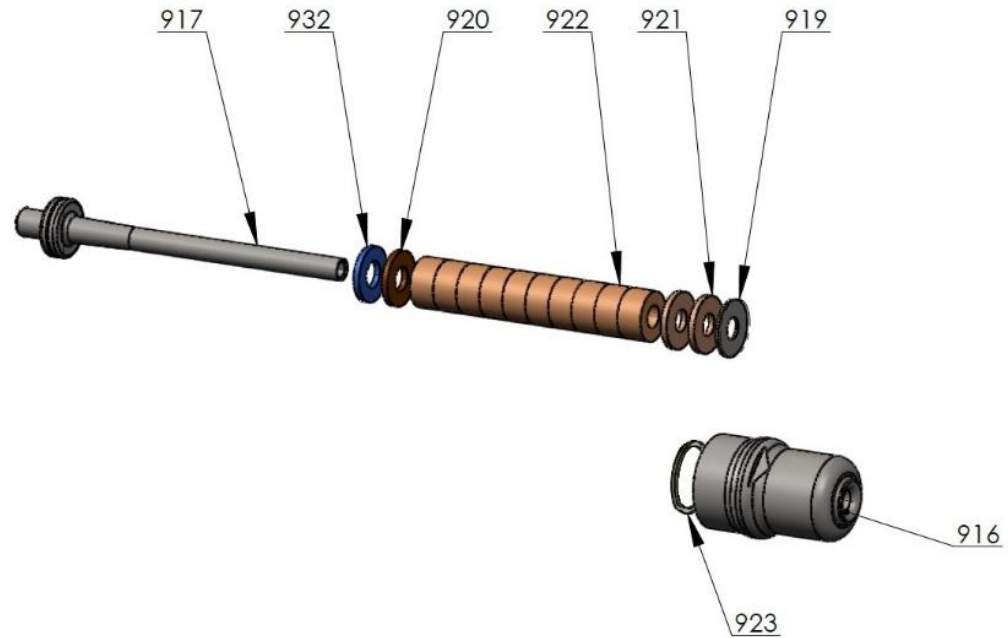
Common Basis

Part No.	Commercial reference	Description
900	16	Cap of Grip
901B	3705	Safety Grip
902	18	Percussion Stopper
903	19	Percussion Hammer
904	21	Hammer Spring
905R	5795	Stopper Spring st. steel
906	24	Cartridge Firing Pin
907B	3694	Ejection Base-Holder
908	26	Holding Pin
909B	3695	Locking Spring
910	-	Bolt of Gas Chamber
915	-	Muffler Barrel
910 + 915	3347	Bolt + glued barrel
911	29	Rush of Bolt </td
912	32	Rocking Head
913	33	Coupling Sleeve
914	34	Coupling Pin
918	30	Pinhead Rush
924	41	Cocking String
925B	3698	Locking Balls
931	5907	Handle ring



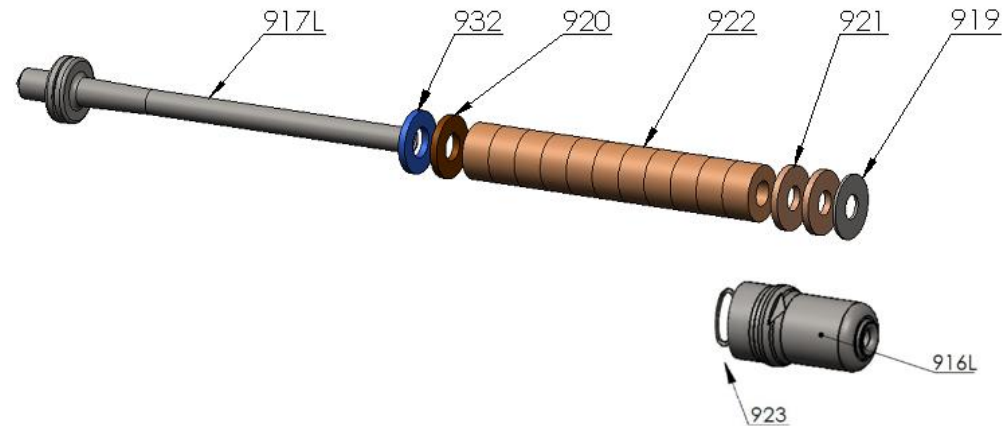
Standard MATADOR

Part No.	Commercial reference	Description
916	1590	Barrel Extension
917	8	Punching Pin
919	65	Tightness Plate
920	38	Rear Protection Washers Brown
932	1269	Rear Protection Washers Blue
921	39	Front Protection Washers
922	1	Elastomer Rings
923	40	Locking Joint



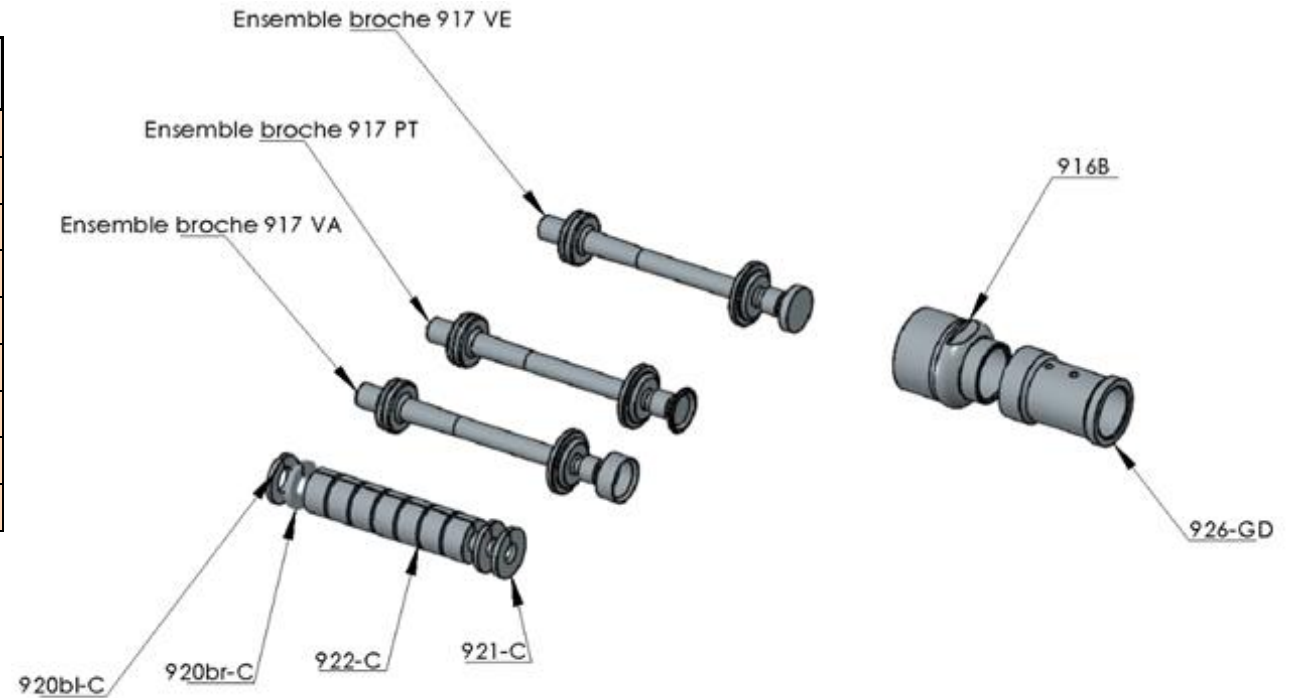
Long MATADOR

Part No.	Commercial reference	Description
916L	5697	Barrel Extension
917L	5698	Punching Pin
919	65	Tightness Plate
920	38	Rear Protection Washers Brown
932	1269	Rear Protection Washers Blue
921	39	Front Protection Washers
922	1	Elastomer Rings
923	40	Locking Joint



MATASSOM

Part No.	Commercial reference	Description
916B	3703	Barrel Extension
917PT	3042	Punching Pin Sheep
917VA	4469	Punching Pin Cow
917VE	7777	Punching pin Veal
920C	3739	Cut rear Protection Washer Brown
932C	3738	Cut rear Protection Washer Blue
921C	3737	Cut front Protection Washer
922C	3736	Cut elastomer Ring
926GD	3040	Sheep/Cow Spacer



ANNEX VII : Information's sheet

Slaughterhouse			Date	
Serial number inscribed on the gun extension		Purchase date		
Number of shots	Blue cartridges	Red cartridges	Black cartridges	
Relevant parts	Ref.	Ref.	Ref.	
	Batch no.	Batch no.	Batch no.	
Defect's description:				

The Matador service book may be requested for further informations.